



# PolyWorks®

## v12

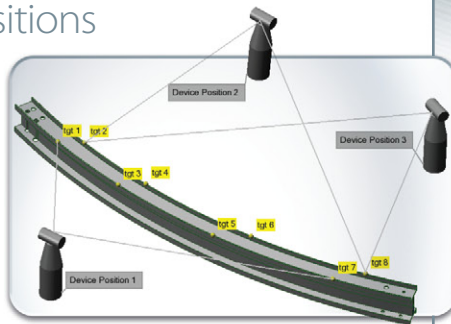
## PolyWorks | Inspector Probing™

The rising star in the world of portable probing metrology software, from the market leader in industrial point cloud metrology



### Most powerful management of multiple device positions

- Automatic matching of probed targets to align a repositioned device (no need to follow a specific order during measurement)
- Complete target analysis toolbox, including target measurement statistics, measured target deletion, and target reprobing
- Temperature compensation by specifying material and temperature, or by best-fitting targets
- Best-in-class real-time bundle adjustment for large volume metrology



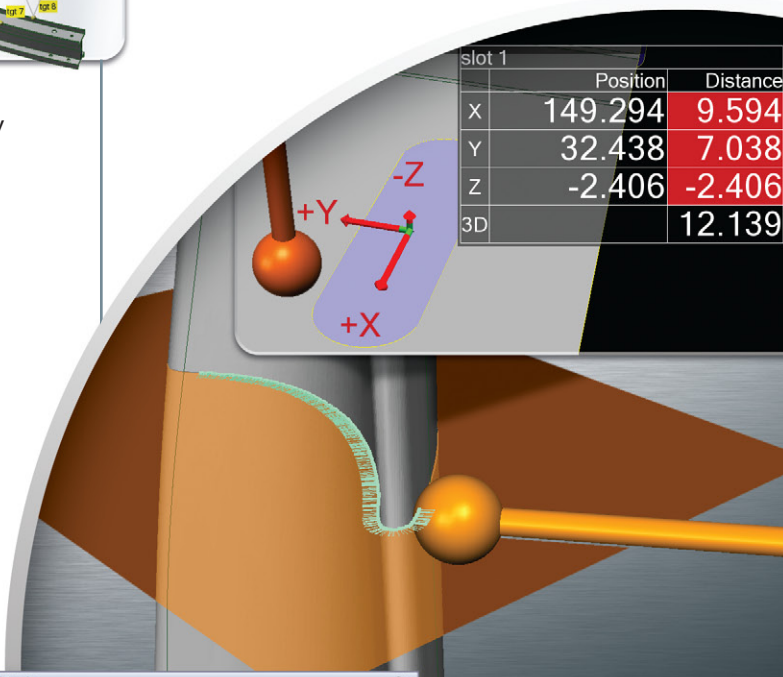
**Bundled with plug-ins for all major probing brands and technologies**  
All plug-ins included at no additional cost

### Most advanced toolset to define nominal geometry and controls

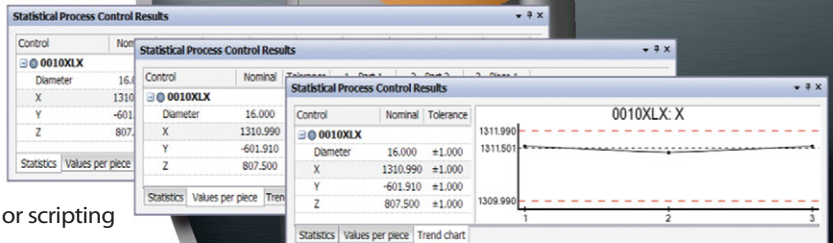
- Support for all commonly used CAD formats
- Import of features, controls, tolerances, and GD&T for CATIA v5, UG, Pro/E, and JT
- Definition of nominal features with one click on a CAD model
- Automatic matching of measured features to nominal features from a new CAD model revision

### Total metrology solution for industrial manufacturing

- Self-learning, parametric, traceable, and updatable inspection projects
- Feature, surface point, boundary point, cross-section, profile, flush & gap, and airfoil gauge probing
- Embedded SmartGD&T™ technology
- Build/Inspect mode for measurement-driven assembly
- Integrated statistical process control (SPC)
- Fully customizable reports
- Integrated DirectReplay™ re-measurement technology to automatically measure a new piece without teaching or scripting



slot 1	Position	Distance
X	149.294	9.594
Y	32.438	7.038
Z	-2.406	-2.406
3D		12.139







## Key features

- **Self-learning, parametric, traceable, and updatable** solution that automatically records the operator's intent and adapts to new measurement contexts
- **Universal platform** that supports arm-based and hand-held probing devices, photogrammetry-based devices, laser trackers, and manual CMMs
- **Total compatibility** with the PolyWorks/Inspector point cloud metrology platform
- **Best-in-class management of multiple device positions** with automatic probed target matching, target analysis toolbox, bundle adjustment, and temperature compensation
- **Powerful set of data-to-CAD alignment techniques** that include techniques based on probed features, probed reference points, probed surface points, surface and cross-sectional best-fit, and more
- **Multiple coordinate systems and a complete alignment history**
- **Widest range of comparison and measurement tools** on the market for a complete analysis of surface, boundary, and cross-sectional deviations, feature dimensions and GD&T controls, in addition to flush and gap, profile radius, airfoil dimensions, clearance, thickness, and more
- **Build/Inspect mode** for measurement-driven assembly that offers 3D or X, Y, Z tolerancing on individual objects, visual and audio guidance, auto-detect and specific object-building modes, and more
- **Integrated Statistical Process Control (SPC)** methodology
- **Embedded SmartGD&T™ technology** from Multi Metrics
- **Extended report capabilities** including customizable report layouts, automatic report generation, and export to Adobe PDF
- **Integrated DirectReplay™ remeasurement technology** to automatically measure a new piece without teaching or scripting
- **User-friendly macro-programming language** for advanced process customization
- **Xtreme graphical user interface** that offers fully customizable menus and toolbars, ideal for corporate-wide deployment
- **Free PolyWorks/IMView™ viewer** that maximizes corporate-wide information sharing among users, managers, and suppliers

## Included with each license

- One year of technical support from highly skilled Application Specialists with optional annual renewals
- Access to InnovMetric's on-line technical support zone
- Access to a comprehensive network of partners that provide PolyWorks service work, like macro development and interface customization

### Probing devices supported

#### Arms

Faro  
Hexagon (Romer, Cimcore)  
Nikon Metrology

#### Laser trackers

API  
Faro  
Hexagon (Leica)

#### Optical trackers/ Photogrammetry

Aicon  
Creaform  
Metronor  
NDI  
Nikon Metrology

#### Theodolites

TDRA6000

#### Manual CMMs

Deva  
I++  
MZ1060 (Zeiss)  
Renishaw

### Supported languages

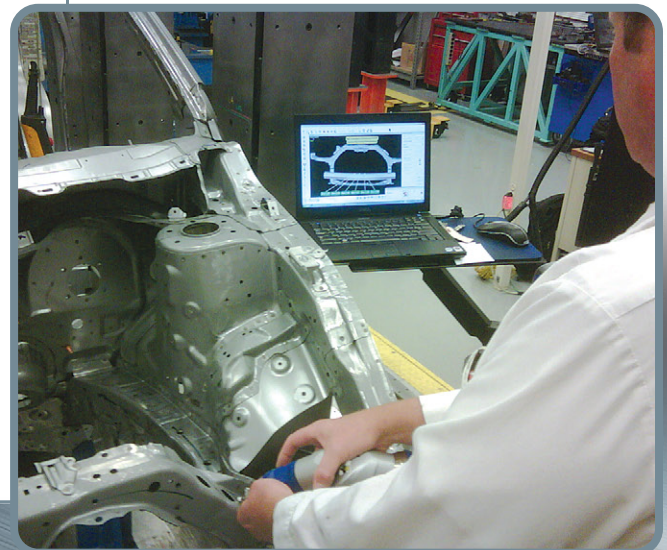
English  
Japanese  
German  
French  
Chinese (simplified & traditional)  
Spanish  
Portuguese  
Italian  
Russian  
Czech

### CAD formats supported

IGES  
STEP  
CATIA V4 and V5  
UG  
Pro/E  
JT  
Parasolid  
SAT  
Inventor  
SolidWorks  
VDA-FS

### System requirements

Windows 64-bit or 32-bit Edition (7/Vista/XP)  
Dual-core processor or two processors  
2 GB of RAM or more  
2 GB of free disk space and 2 GB of swap space  
OpenGL graphics board (NVIDIA is recommended)  
3-button mouse or 2-button with wheel



**InnovMETRIC**  
Software

Your One-Stop 3D Metrology Partner

www.innovmetric.com

**Corporate Headquarters** | InnovMetric Software Inc. 2014, Cyrille-Duquet, Suite 310, Québec QC G1N 4N6 Canada  
**Phone: 418-688-2061** | Toll free: 1-888-688-2061 | Fax: 418-688-3001 | info@innovmetric.com

**Québec** Canada | **Detroit**, MI, USA | **Los Angeles**, CA, USA | **Dallas**, TX, USA | **Salisbury**, NC, USA | **Pune** India | **Shanghai** China  
**Paris** France | **Lindau** Germany | **Kaluga** Russia | **Bangkok** Thailand | **São Paulo** Brazil

Duwe-3d AG, partner office in Europe

© 2011 InnovMetric Software Inc. All rights reserved. PolyWorks® is a registered trademark of InnovMetric Software Inc. InnovMetric, PolyWorks/Modeler, PolyWorks/Inspector, PolyWorks/Inspector Probing, PolyWorks/Talisman, IMAlign, IMMerge, IMEdit, IMCompress, IMInspect, IMSurvey, IMTexture, IMView, and "The Universal 3D Metrology Software Platform" are trademarks of InnovMetric Software Inc. SmartGD&T is a trademark of Multi Metrics Inc. All other trademarks are the property of their respective owners.

